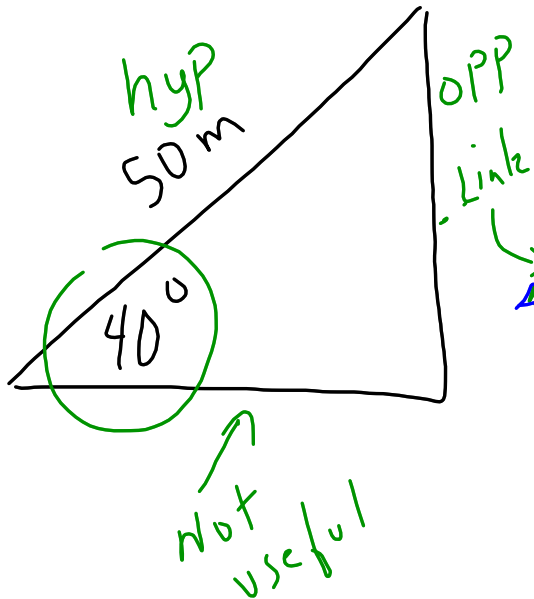
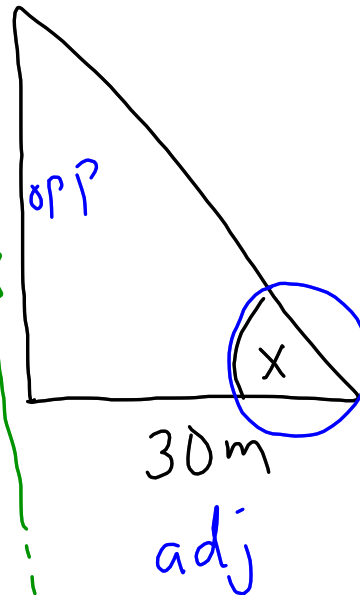


Q2

Solve  
First  
↓

$$\sin 40 = \frac{\text{opp}}{50}$$

$$\text{opp} = \underline{\underline{32.14 \text{ m}}}$$

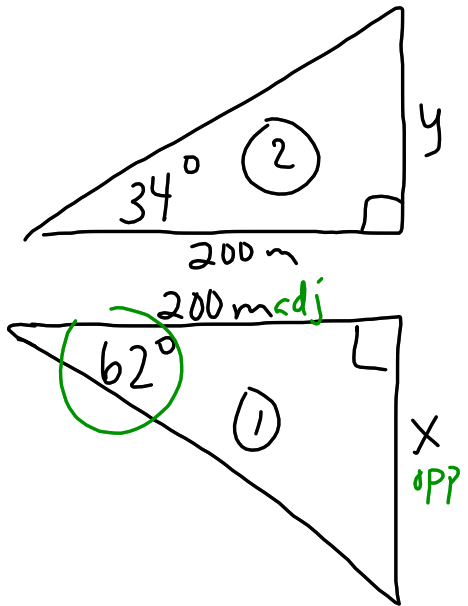
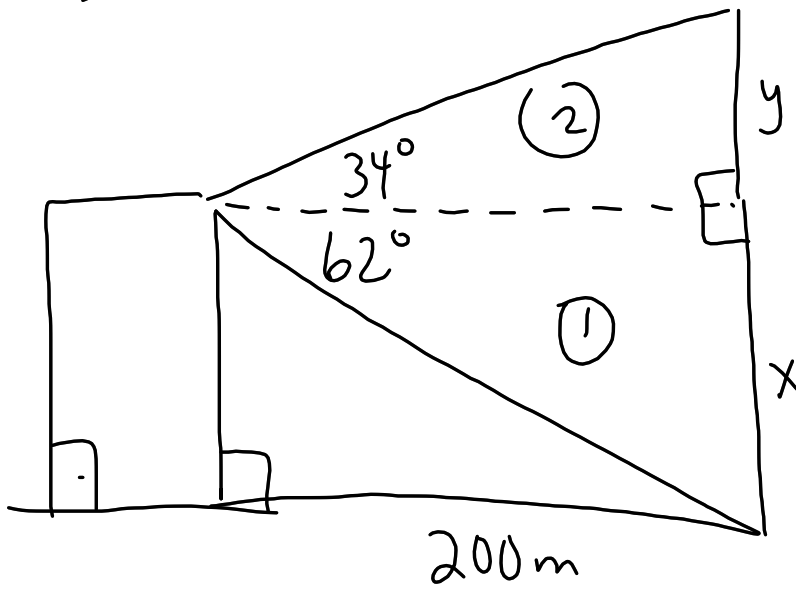
Solve  
after finding a side

$$\theta = \tan^{-1} \left( \frac{32.14}{30} \right)$$

$$\theta = 46.97$$

$$\underline{\underline{47^\circ}}$$

Q8



$$\tan 62 = \frac{x}{200}$$